

LOCATION

Frontier Park

590 N. 9th Pl.
Show Low, AZ
85901

GET OUT OF THE HEAT!!

**COME COURSE IN THE HEART
OF THE WHITE MOUNTAINS**

**People are asked to be respectful to
others at distancing and space on the
field and in common areas.**

Direction:

From AZ60 – proceed on Deuce of Clubs Blvd. To 9th Pl.
Turn north on 9th Pl. and proceed to the end of the road.

PREMIUM LIST

PRE-ENTRIES CLOSE Tues. July. 25, 2023 at 8:00 PM at the address of the event secretary: 6065 N. Avra Rd, Tucson, AZ 85743

GATE ENTRY closes at 7:30AM each day for all events.



COPPER STATE BASENJI CLUB

<http://azbasenjjs.org/>

**ALL-BREED
AKC COURSING ABILITY TESTS**

LICENSED BY THE AMERICAN KENNEL CLUB

7/28/2023 AM– FCAT#1 - Event #2023520609

7/28/2023 PM - FCAT#2 – Event #2023520610

FastCAT's will be limited to 100 entries per event

7/29/2023 - CAT#1 - Event #2023520605

7/30/2023 - CAT#2 - Event #2023520607

CAT's will be limited to 60 entries per event

Frontier Park Show Low, AZ

ENTRY FEES:

Pre-Entries: \$25 for 1st dog and \$20 for additional entries from
same household Jr. Handler entries are \$15

Day-of-Trial Entries: \$30 per dog



Permission has been granted by The American Kennel Club for the holding of this event under American Kennel Club Rules and Regulations.

CSBC OFFICERS:

Theresa Tuttle President
Ron Wilson Vice-Pres.

Susan Howard Secretary
Tari Parish Treasurer

BOARD: Sherry Stevens, Alyx Tuttle

FOR THE EVENTS

FIELD COMMITTEE:

Field Chairman Tari Parish – 5855 N. Avra Rd., Tucson, AZ 85743
Event Secretary Theresa Tuttle – 6065 N. Avra Rd. Tucson, AZ 85743
520-603-7130 copperstatebasenjclub@gmail.com

Checks payable to: CSBC **Send entries to:** copperstatebasenjclub@gmail.com

To pay by PayPal, at arizonabasenjis@azbasenjclub.org

or through the club website at www.azbasenjclub.org

Huntmasters Jared Reisinger
Lure Operators Tari Parish, Anysia Jaramillo
Inspection Theresa Tuttle, Nancy Ryson, Barbara Reisinger
Field Clerk Angie Weatherhead

AKC JUDGES

Chris Demery 14450 N. Thompson Peak Pkwy. Scottsdale, AZ 85260
Robert Place 190 ST Hwy 165 Placita, NM 87043

CAT	#1 – Saturday	#2 – Sunday
Judge	Place	Demery

TEST HOURS: 8:00 AM until completion

ROLL CALL & INSPECTION: 7:30am for each day . Inspection committee shall inspect each entry for lameness, fitness to compete and females in season.

A penalty of \$5 will be assessed for each loose dog not competing in the course in progress, and for 5+ minute delays of event.

NOTE: On Friday - FastCAT events will be in 1 hr. blocks, starting at 8:00am w/ #1 block, with #2 starting 30 minutes after runs in #1 are completed.

On Sat & Sun - CAT events will start at approx. 1:00pm, or 30 minutes after the Trial is completed.

ALL ANIMALS ON TEST GROUNDS ARE EXPECTED TO BE CURRENT ON VACCINATIONS AS REQUIRED BY STATE LAW.

Note: Per AKC rules, **NO Flexi-leads or Prong collars at the field**

FastCAT will be run on a 100 Yard Straightaway, with a 30 yard deceleration area.

The Timing Devices for this event will be 2 stopwatches at the finish line which will be averaged for the finishing time.

Light Blue ribbons will be awarded for qualifying runs.

COURSING ABILITY REGULATIONS:

http://www.akc.org/pdfs/events/lure_coursing/Coursing_Ability_Regulations.pdf

300 Yard Course. This distance is for dogs 12” or less at the withers and brachycephalic (“flat-faced”) breeds. A dog must complete this course in less than 90 seconds.

600 Yard Course. This distance is used for all dogs that do not run the 300 yard course. A dog must complete this course in less than 2 minutes.

Orange ribbons will be awarded for qualifying runs.

Coursing Ability Tests are open to all dogs at least 12 months of age that are individually registered with the AKC, recorded in the Foundation Stock Service (FSS) program, individually registered with a foreign or domestic registry organization whose pedigrees are acceptable for AKC registration, dogs granted a Purebred Alternative Listing (PAL) number, dogs with AKC Limited or Conditional Registration, or dogs enrolled in the AKC Canine Partners program. Dogs with breed disqualifications are eligible to enter. Females in season may not enter. A dog may enter only once per event (an event is defined by an event number). **To Pass**, the dog must complete the course **with enthusiasm and without interruption** within a stated maximum amount of time. Maximum time: 300 yards - 1½ minutes; or 600 yards – 2 minutes.

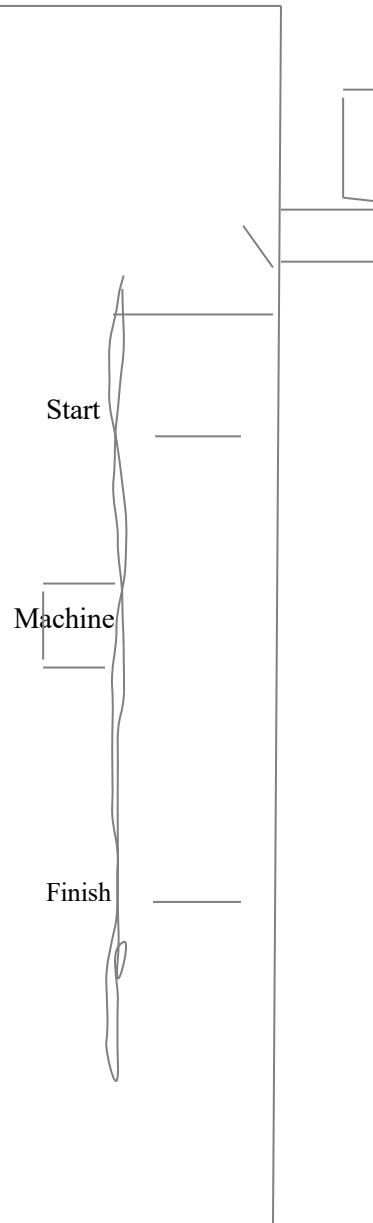
Dogs will run singularly. Battery powered, continuous loop lure machines will be used. The Field Committee reserves the right to alter the course plan as required by weather and/or field conditions on the day of the event. The Field Committee recommends that your dogs be in good physical condition before attempting the course. The Field Committee and the Town of Show Low assume no liability for injury to any person or dog before, during or after these Tests. Please bring your own shade and water. Public restrooms are available across the street from field.

The FastCat's will be run down the west side of the field, using the existing chain-link fence as one side and a temporary fencing line will be put up to form the other side of the corridor.

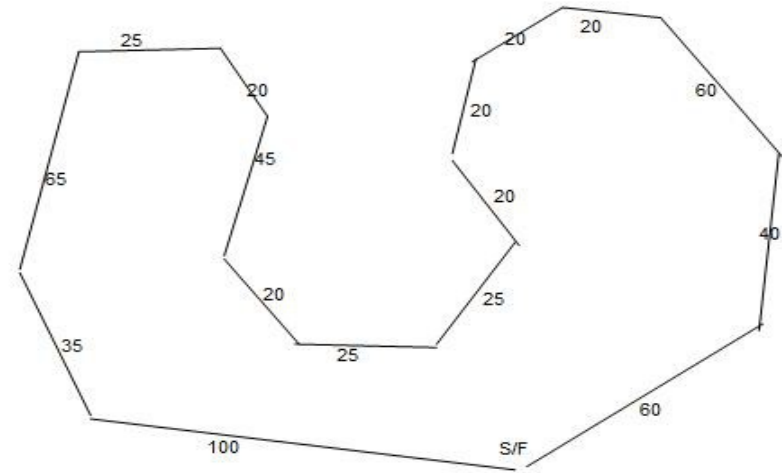
Dogs will be assigned to an hour time slot. Time slots will be assigned by the secretary as entries come in. Exhibitors will receive a communication from the secretary by Friday morning as to the hour their dog(s) will run.

The running order within each hour will be post at the trial. The exhibitors will be expected to remain near the start line to be ready to go to the line when called by the Huntmaster.

Any day-of-trial entries will be put at the end of the lineup.

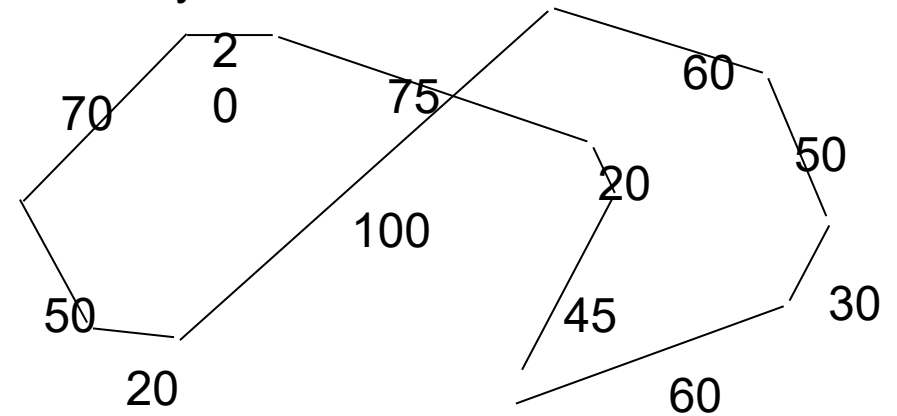


Saturday Course 600 yds.



Sunday Course

600 yds.



Course plans for the long CAT's is 600 yds. The first run will be to the left and second run will be to the right.

For the short CAT's the dogs will run 1/2 the course .

Nearby motels :

Days Inn

480 W. Deuce of Clubs, Show Low, AZ
928-537-4356

The KC Motel

60 W. Deuce of Clubs, Show Low, AZ
928-537-4433

America's Best Value

1941 E. Deuce of Clubs, Show Low, AZ
928-537-7694

*Please verify all info before confirming
reservation.*

NO HOOK-UPS AT THE FIELD.

***RV PARKING at the park for FULLY
CONTAINED units only. First come/first serve.***

EMERGENCY VET INFORMATION

Alta Sierra Veterinary Hospital

100 S. Clark Rd.

Show Low, AZ

928-537-2880

<http://altasierraveterinaryhospital.com/>

**open Saturday 9:00am- 12:00 noon,
located approximately 4 miles from field**

**The club will provide prepackaged snacks and water
for participants each day.**

Bring your own chairs and shade.

Public restrooms are located on the property.

Due to the current situation:

**Please be respectful to others regarding
distancing and space.**

NO SMOKING on the field; inside your vehicle only.

ABSOLUTELY NO fires & NO dumping.

OFFICIAL AMERICAN KENNEL CLUB LURE COURSING ENTRY FORM

Club: Copper State Basenji Club	Date: 7/28/2023	Event # Friday 2023520609 FCAT#1 2023520610 FCAT#2	
	& 7/29/2023 7/30/2023	Saturday & Sunday 2023520605 CAT#1 2023520607 CAT#2	
Location: Frontier Park	Event type (test or trial) <input checked="" type="checkbox"/> Test		
Stake: <input type="checkbox"/> CAT <input type="checkbox"/> FastCAT	Breed:	I enclose entry fees in the amount of: \$	
	Height of dog:		
Breeder:	Registration #:	Sex:	Date of Birth:
Call Name of Dog:	AKC #	CP #	Foreign # & List Country
Full Name of Dog:			
Sire:			
Dam:			
Actual Owner(S):			
Owner's Address:			
City:			
Name of Owner's Agent/Handler (if any) at Test:			

AKC Rules, Regulations, Policies and Guidelines are available on the American Kennel Club website: www.akc.org

AGREEMENT

I CERTIFY that I am the actual owner of this dog, or that I am the duly authorized agent of the actual owner whose name I have entered above. In consideration of the acceptance of this entry, I (we) agree to abide by the rules and regulation of The American Kennel Club in effect at the time of this trial, and by the rules and regulations appearing in the premium list for this trial, and entry for. I (we) certify and represent that the dog entered in not a hazard to persons or other dogs. The entry is submitted for acceptance on the foregoing representation and Agreement. I (we) agree that the club holding this event has the right to refuse this entry for cause which the club shall deem sufficient. In consideration of the acceptance of this entry and the holding of this event and of the opportunity to have the dog judged an to win prize money, ribbons, or trophies, I (we) agree to hold the AKC, the event giving club, their members, directors, governors, officers, agents superintendents or event secretary ant the owner or lessor of the premises and any provider of services that are necessary to hold this event and any employees or volunteers of the aforementioned parties, and any AKC approved judge, judging at this event, harmless from any claim for loss or injury which may me alleged to have been caused directly or indirectly to any person or thing by the act of this dog while in or about the event premises or grounds or near any entrance thereto, and I (we) person all assume all responsibility and liability for any such claim; and I (we) further agree to hold the aforementioned parties harmless from any claim for loss, injury or damage to this dog.

Additionally, I (we) hereby assume the sole responsibility for and agree to indemnify, defend and save the aforementioned parties harmless from any and all loss and expense (including legal fees) by reason of the liability imposed by law upon any of the aforementioned parties for damage because of bodily injuries, including death at any time resulting therefrom, sustained by any person or persons, including myself (ourselves) or on account of damage to property, arising out of or in consequence of my (our) participation in this event, however such, injuries death or property damage may be caused, and whether or not the same may have been cause or may be alleged to have been cause by the negligence of the aforementioned parties or any of their employees, agents, or any other persons. **I (WE) AGREE THAT ANY CAUSE OF ACTION, CONTROVERSY OR CLAIM ARISING OUT OF OR RELATED TO THE ENTRY, EXHIBITION OR ATTENDANCE AT THE EVENT BETWEEN THE AKC AND MYSELF (OURSELVES) OR AS TO THE CONSTRUCTION, INTERPRETATION AND EFFECT OF THIS AGREEMENT SHALL BE SETTLED BY ARBITRATION PURSUANT TO THE APPLICABLE RULES OF THE AMERICAN ARBITRATION ASSOCIATION, HOWEVER, PRIOR TO ARBITRATION ALL APPLCABLE AKC BYLAWS, RULES, REGUALTIONS AND PROCEDURES MUST FIRST BE FOLLOWED AS SET FORTH IN THE AKC CHARTER AND BYLAWS, RULES, REGULATIONS, PUBLISHED POLICIES AND GUIDELINES.**

**Signature of owner or his agent
duly authorized to make this entry**

Telephone:	Email address:
------------	----------------

OFFICIAL AMERICAN KENNEL CLUB LURE COURSING ENTRY FORM

Club: Copper State Basenji Club	Date: 7/28/2023	Event # Friday 2023520609 FCAT#1 2023520610 FCAT#2	
	& 7/29/2023 7/30/2023	Saturday & Sunday 2023520605 CAT#1 2023520607 CAT#2	
Location: Frontier Park	Event type (test or trial) <input checked="" type="checkbox"/> Test		
Stake: <input type="checkbox"/> CAT <input type="checkbox"/> FastCAT	Breed:	<input type="checkbox"/> enclose entry fees in the amount of: \$	
Breeder:	Size of dog:		
	Registration #:	Sex:	Date of Birth:
Call Name of Dog:	AKC #	CP #	PAL/ILP # <input type="checkbox"/> Foreign # & List Country <input type="checkbox"/>
Full Name of Dog:			
Sire:			
Dam:			
Actual Owner(S):			
Owner's Address:			
City:			
Name of Owner's Agent/Handler (if any) at Test:			

AKC Rules, Regulations, Policies and Guidelines are available on the American Kennel Club website: www.akc.org

AGREEMENT

I CERTIFY that I am the actual owner of this dog, or that I am the duly authorized agent of the actual owner whose name I have entered above. In consideration of the acceptance of this entry, I (we) agree to abide by the rules and regulation of The American Kennel Club in effect at the time of this trial, and by the rules and regulations appearing in the premium list for this trial, and entry for. I (we) certify and represent that the dog entered in not a hazard to persons or other dogs. The entry is submitted for acceptance on the foregoing representation and Agreement. I (we) agree that the club holding this event has the right to refuse this entry for cause which the club shall deem sufficient. In consideration of the acceptance of this entry and the holding of this event and of the opportunity to have the dog judged an to win prize money, ribbons, or trophies, I (we) agree to hold the AKC, the event giving club, their members, directors, governors, officers, agents superintendents or event secretary ant the owner or lessor of the premises and any provider of services that are necessary to hold this event and any employees or volunteers of the aforementioned parties, and any AKC approved judge, judging at this event, harmless from any claim for loss or injury which may me alleged to have been caused directly or indirectly to any person or thing by the act of this dog while in or about the event premises or grounds or near any entrance thereto, and I (we) person all assume all responsibility and liability for any such claim; and I (we) further agree to hold the aforementioned parties harmless from any claim for loss, injury or damage to this dog.

Additionally, I (we) hereby assume the sole responsibility for and agree to indemnify, defend and save the aforementioned parties harmless from any and all loss and expense (including legal fees) by reason of the liability imposed by law upon any of the aforementioned parties for damage because of bodily injuries, including death at any time resulting therefrom, sustained by any person or persons, including myself (ourselves) or on account of damage to property, arising out of or in consequence of my (our) participation in this event, however such, injuries death or property damage may be caused, and whether or not the same may have been cause or may be alleged to have been cause by the negligence of the aforementioned parties or any of their employees, agents, or any other persons. **I (WE) AGREE THAT ANY CAUSE OF ACTION, CONTROVERSY OR CLAIM ARISING OUT OF OR RELATED TO THE ENTRY, EXHIBITION OR ATTENDANCE AT THE EVENT BETWEEN THE AKC AND MYSELF (OURSELVES) OR AS TO THE CONTRUCTION, INTERPRETATION AND EFFECT OF THIS AGREEMENT SHALL BE SETTLED BY ARBITRATION PURSUANT TO THE APPLICABLE RULES OF THE AMERICAN ARBITRATION ASSOCIATION, HOWEVER, PRIOR TO ARBITRATION ALL APPLCABLE AKC BYLAWS, RULES, REGUALTIONS AND PROCEDURES MUST FIRST BE FOLLOWED AS SET FORTH IN THE AKC CHARTER AND BYLAWS, RULES, REGULATIONS, PUBLISHED POLICIES AND GUIDELINES.**

**Signature of owner or his agent
duly authorized to make this entry**

Telephone:	Email address:
-------------------	-----------------------

VOLUNTEER WORKER FORM

Please complete and return **with** your entry to the Field Secretary.

Name: _____

Cell #: _____

Breed: _____

I am volunteering for the following position(s):

		CAT's
Put me wherever you need me		
Field Clerk		
Paddock Master		
Assistant Scorekeeper		
Field Support		
: Field Set-up		
Sunday afternoon: Field teardown and trailer loading		

I would like to learn how to:

Huntmaster _____ Lure Operate _____

Trial Secretary _____ Equipment Support _____

THANK YOU FOR YOUR HELP!